

REVISIONS				
ZONE	REV	DESCRIPTION	DATE	APPROVED

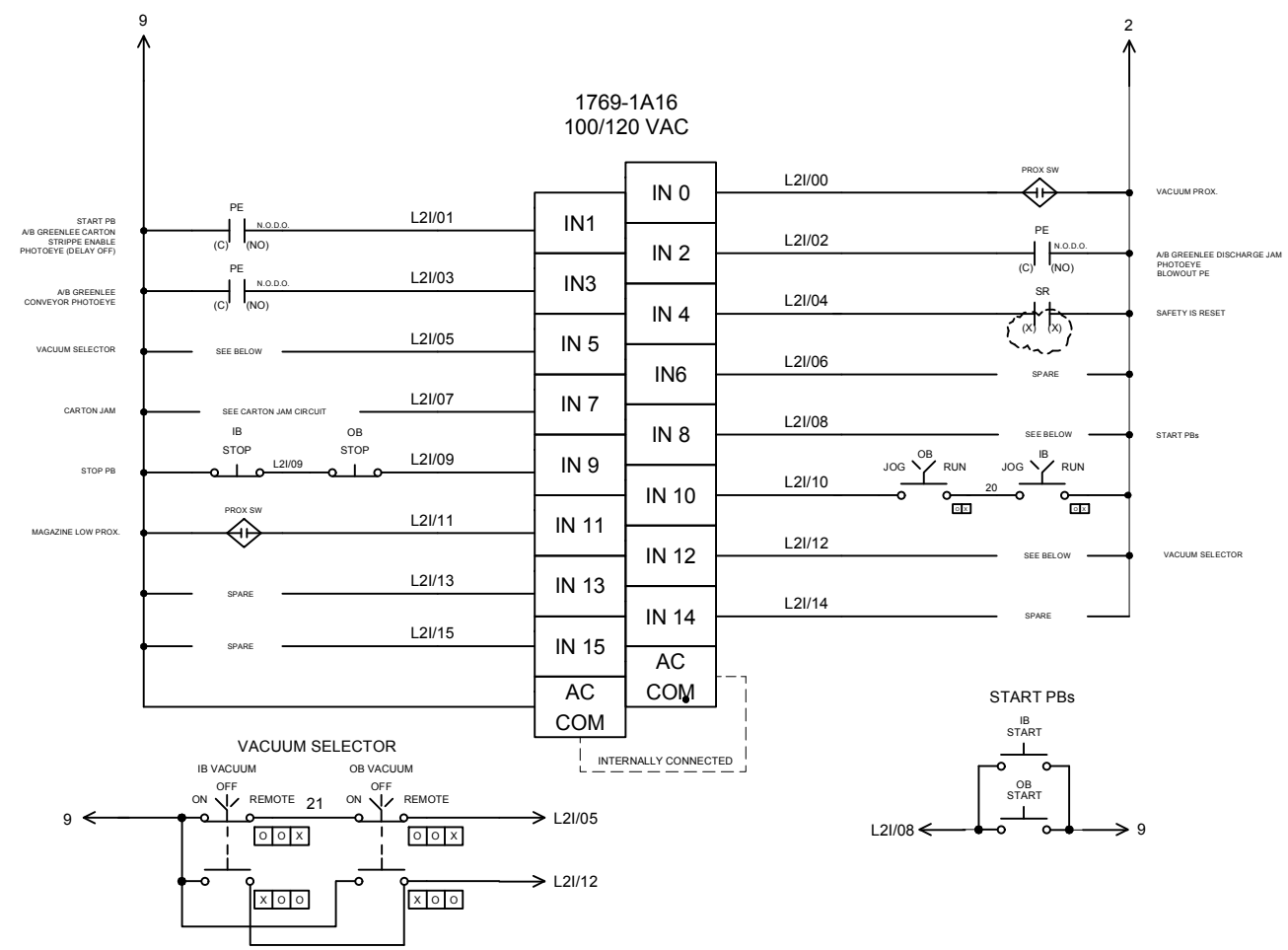
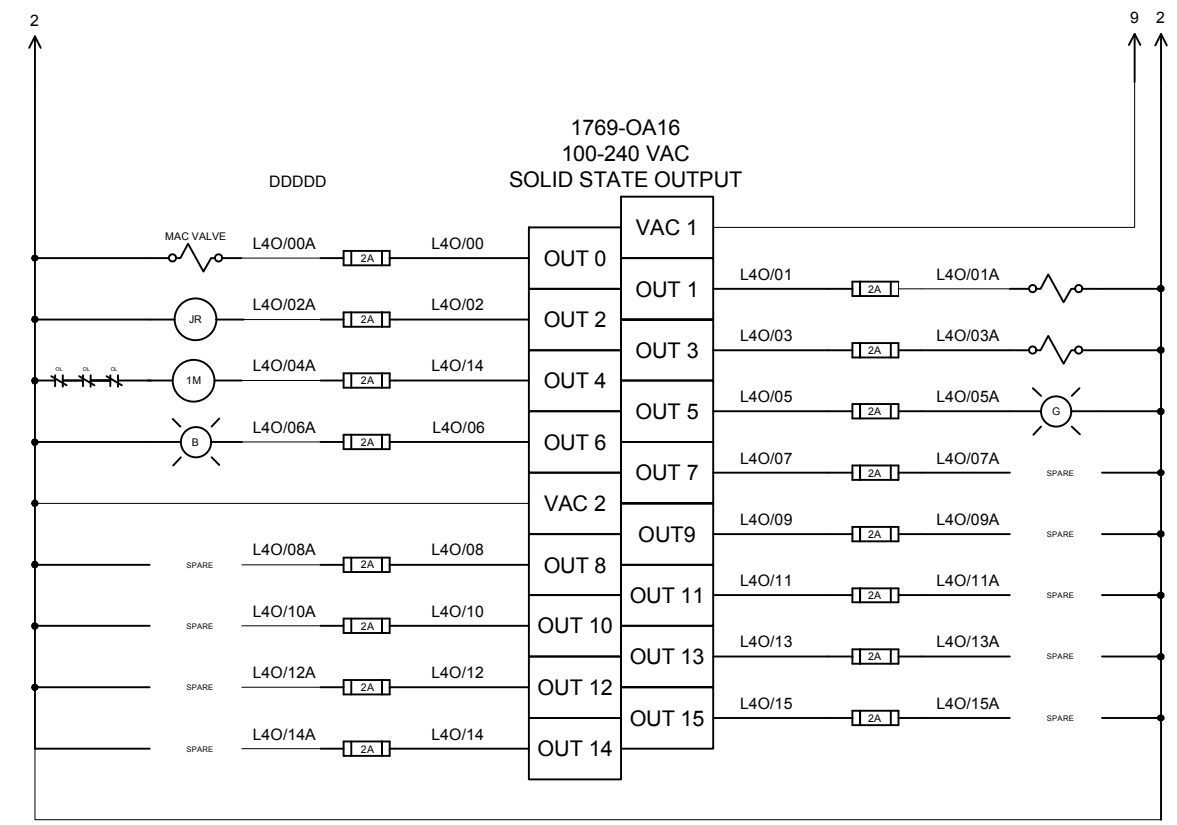
L 4 O / 0 1
L 4 I / 0 6


DATA BIT

I=INPUT O=OUTPUT

SLOT NUMBER

LOCAL RACK





Electrical Techniques, Inc.
479-361-5066

**ALLEN-BRADLEY COMPACTLOGIX
I/O CONFIGURATION**

APPROVED BY	SIZE	FSOM NO.	DWG NO.	REV
DATE	SCALE	NONE	SHEET	00
11/8/2009			2 OF 5	